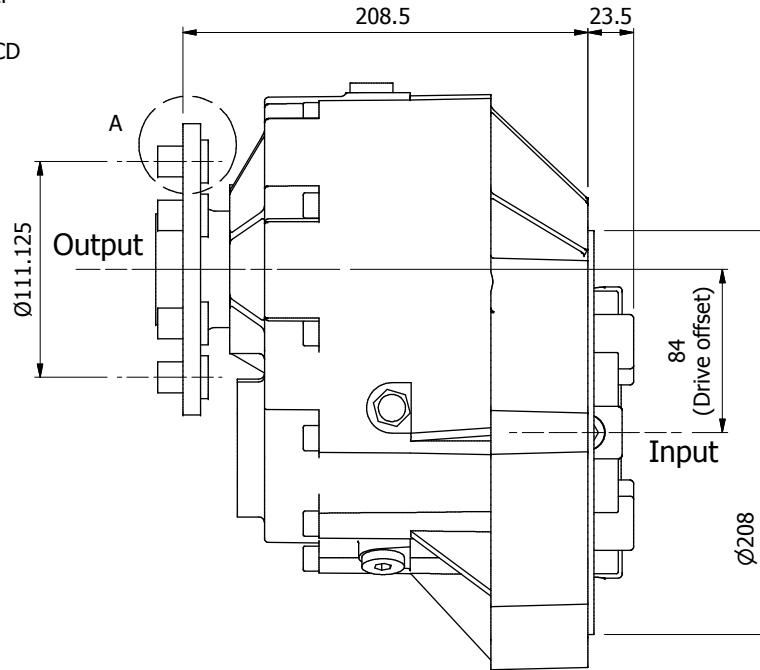
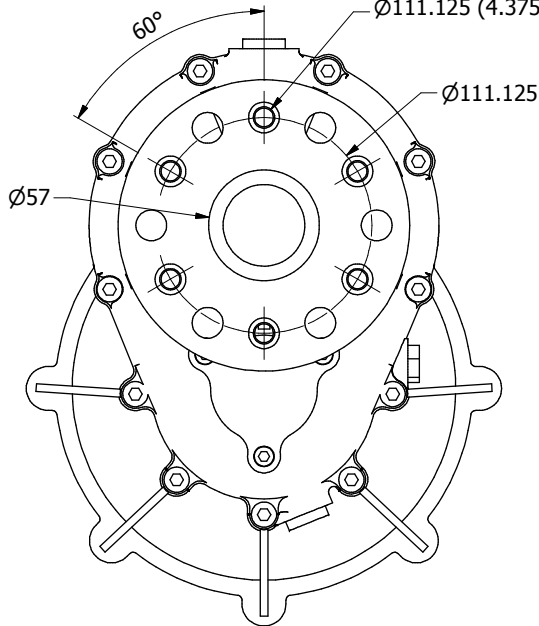


6@7/16-20 UNF
C'BORE Ø11 X 8 DEEP
Equispaced on
Ø111.125 (4.375") PCD

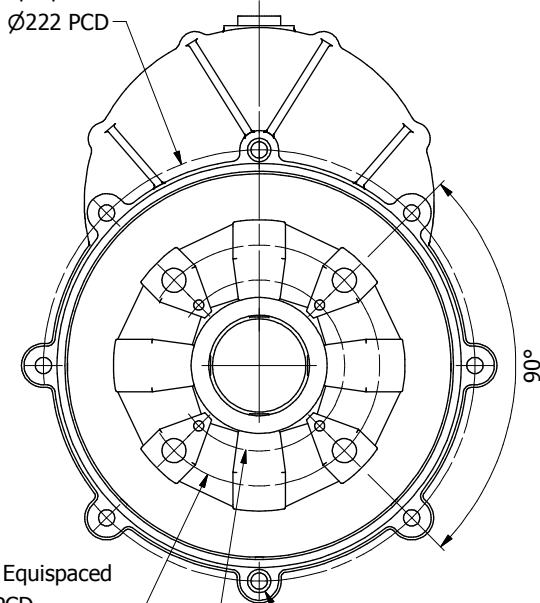


8 x M10x1.5 Equispaced
on Ø222 PCD

4 x Ø12.4 Equispaced
on Ø124 PCD
- to suit M12 SHCS

4 x Ø4.9 Equispaced
on Ø88 PCD
- to suit 3/16" Roll Pin

2@Ø12
5.5 Deep



AUTOFLIGHT 'HEAVY DUTY' UNIVERSAL

