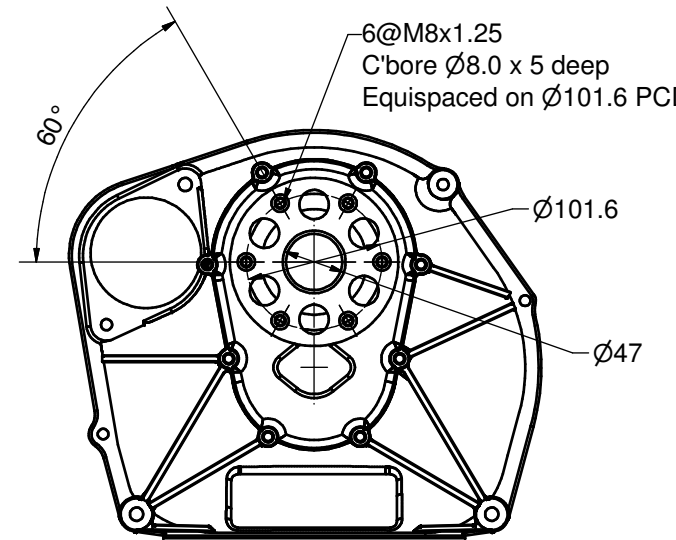
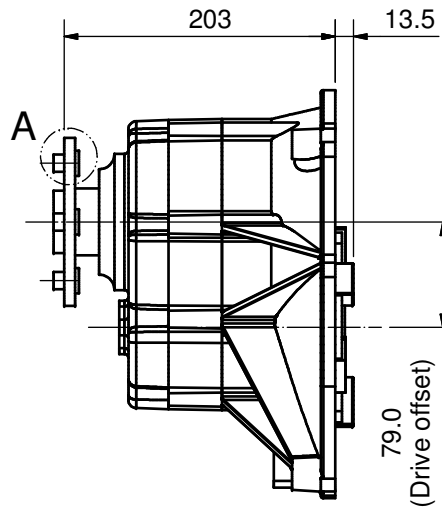


3 x Ø12.4 Equispaced
on Ø124 PCD
- to suit M12 SHCS

3 x Ø4.9 Equispaced
on Ø88 PCD
- to suit 3/16 Roll Pin



EAU Reduction unit

Autoflight
LIMITED

All dimensions in mm - DO NOT SCALE - If in doubt ask - Specifications subject to change

